



**7280.0035**

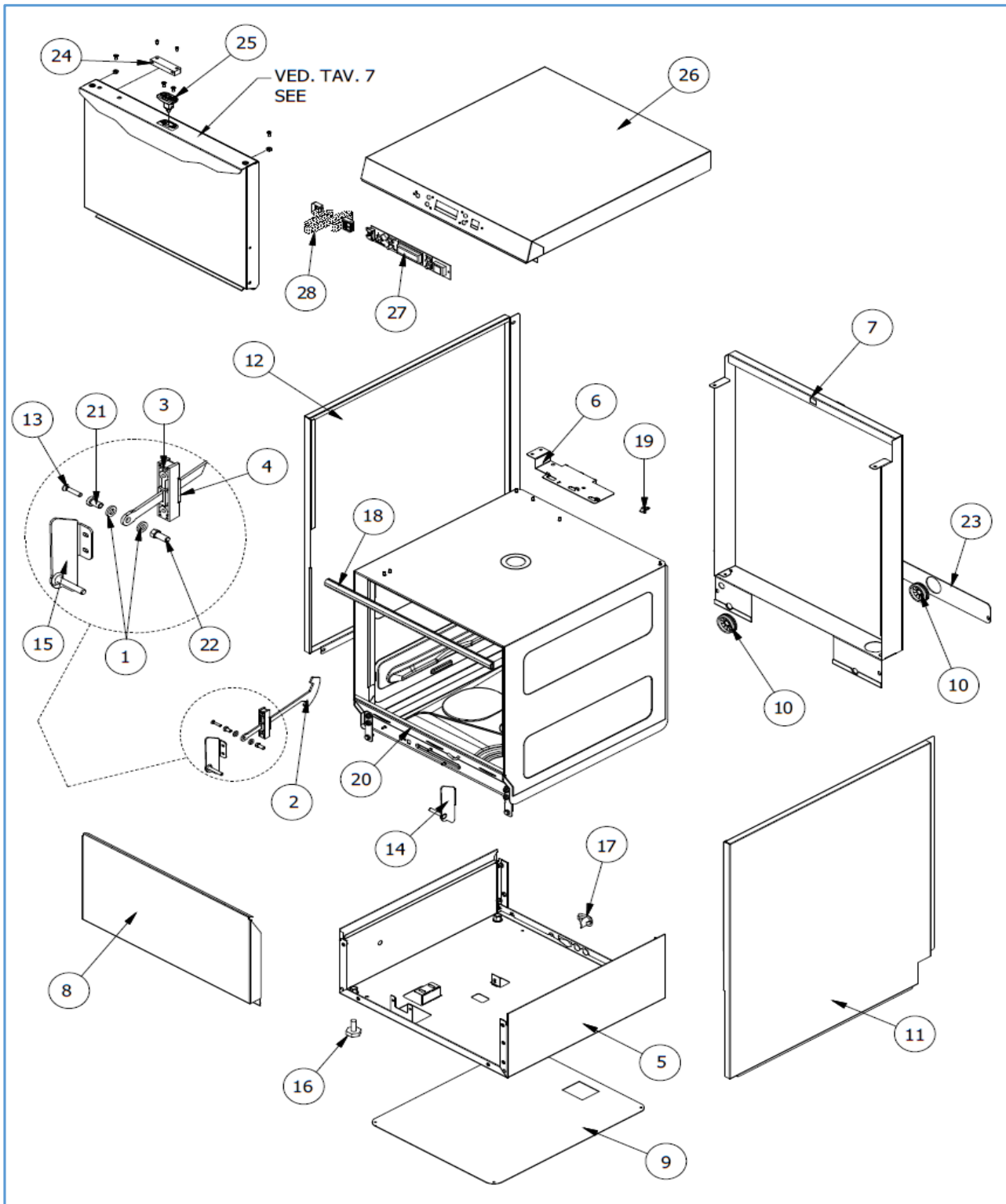
Onderdelen informatie

Erzatzteil information

Spare part information

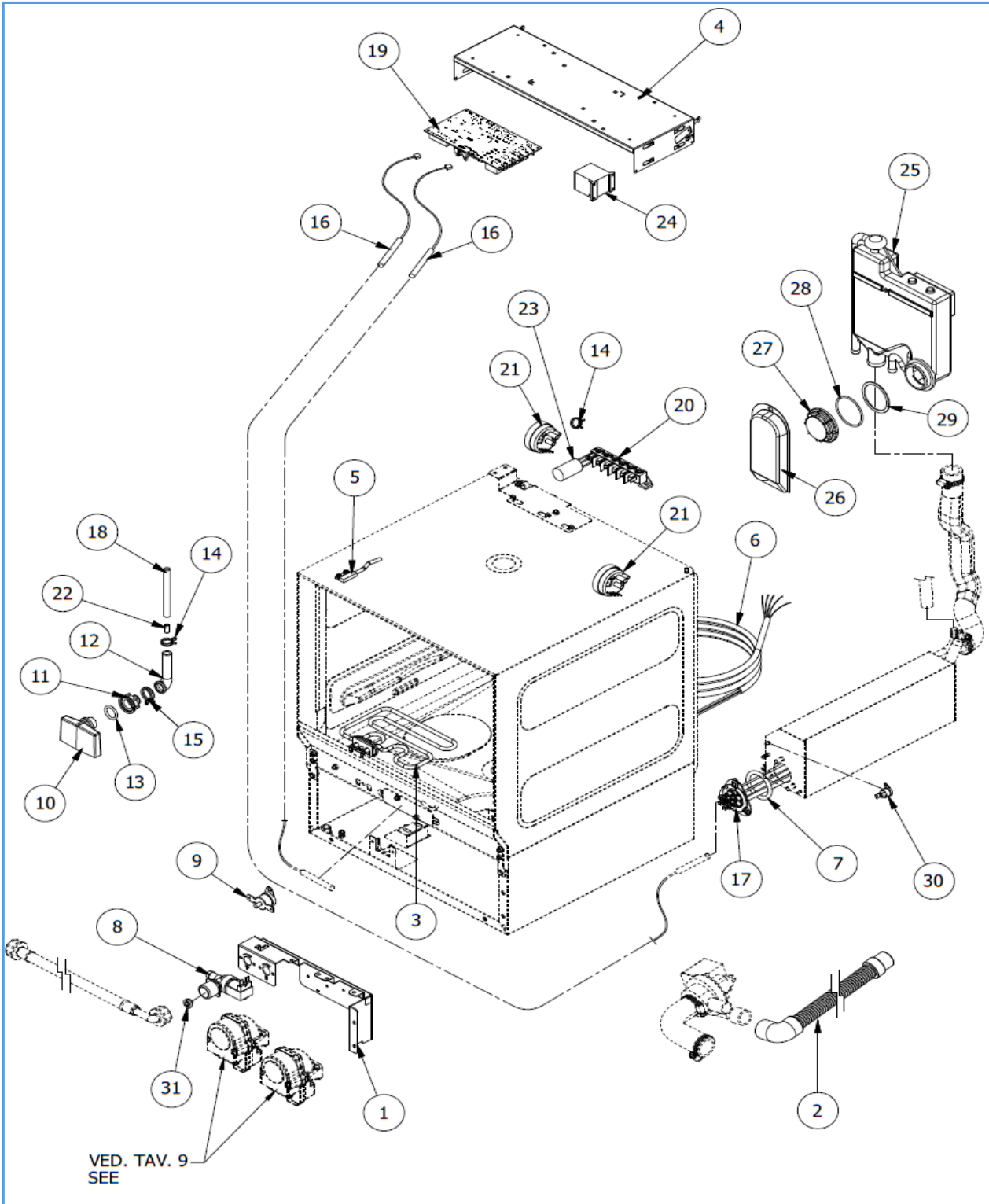
Information de pièces





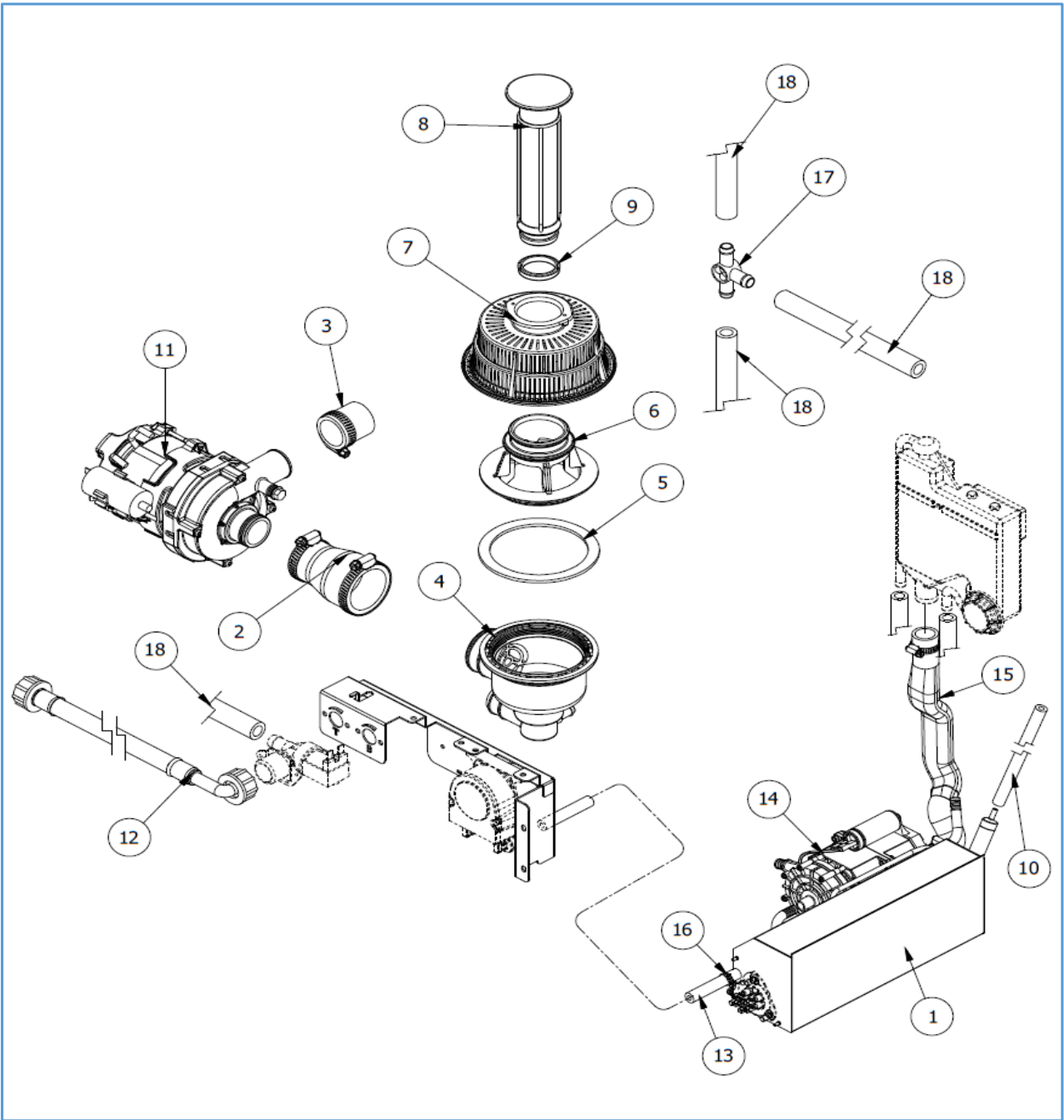
## Onderdelenlijst 7280.0035

POS:	Art.No.:	Omschrijving:	Aantal:
1		WASHER FOR DOOR TENSIONER	
2		DOOR TENSIONER	
3		TENSIONER GUIDE	
4		S.S. BLOCK FOR DOOR TENSIONER	
5		BASE ASSY	
6		PRESSOSTAT AND TERMINAL BOARD SUPPORT	
7		REAR PANEL	
8		LOWER TRIM PANEL	
9		BOTTOM GUARD	
10		PLASTIC SNAP CABLE	
11		RIGHT PANEL	
12		LEFT PANEL	
13		STAINLESS STEEL SCREW M4x20 TCPS	
14		MOUNTAIN BRACKET ASSY FOR RIGHT HINGE	
15		MOUNTAIN BRACKET ASSY FOR LEFT HINGE	
16	9136.1798	ADJUSTABLE FOOT M10 (*)	
17	9136.0234	CABLE CLAMP	
18		DOOR GASKET L=mm. 565 (*)	
19		MALE PLASTIC LATCH	
20	9136.1078	EPDM GASKET DIM. mm.20x2x565 L (*)	
21		LINCHPIN	
22		TENSIONING PIN	
23		LOWER REAR PANEL	
24	9136.1526	MAGNETIC UNIT (*)	
25		DOOR JACK ASSY (*)	
26		UPPER COVER ASSY	
27		6-KEYS DISPLAY	
28		10-WIRES FLAT CABLE	



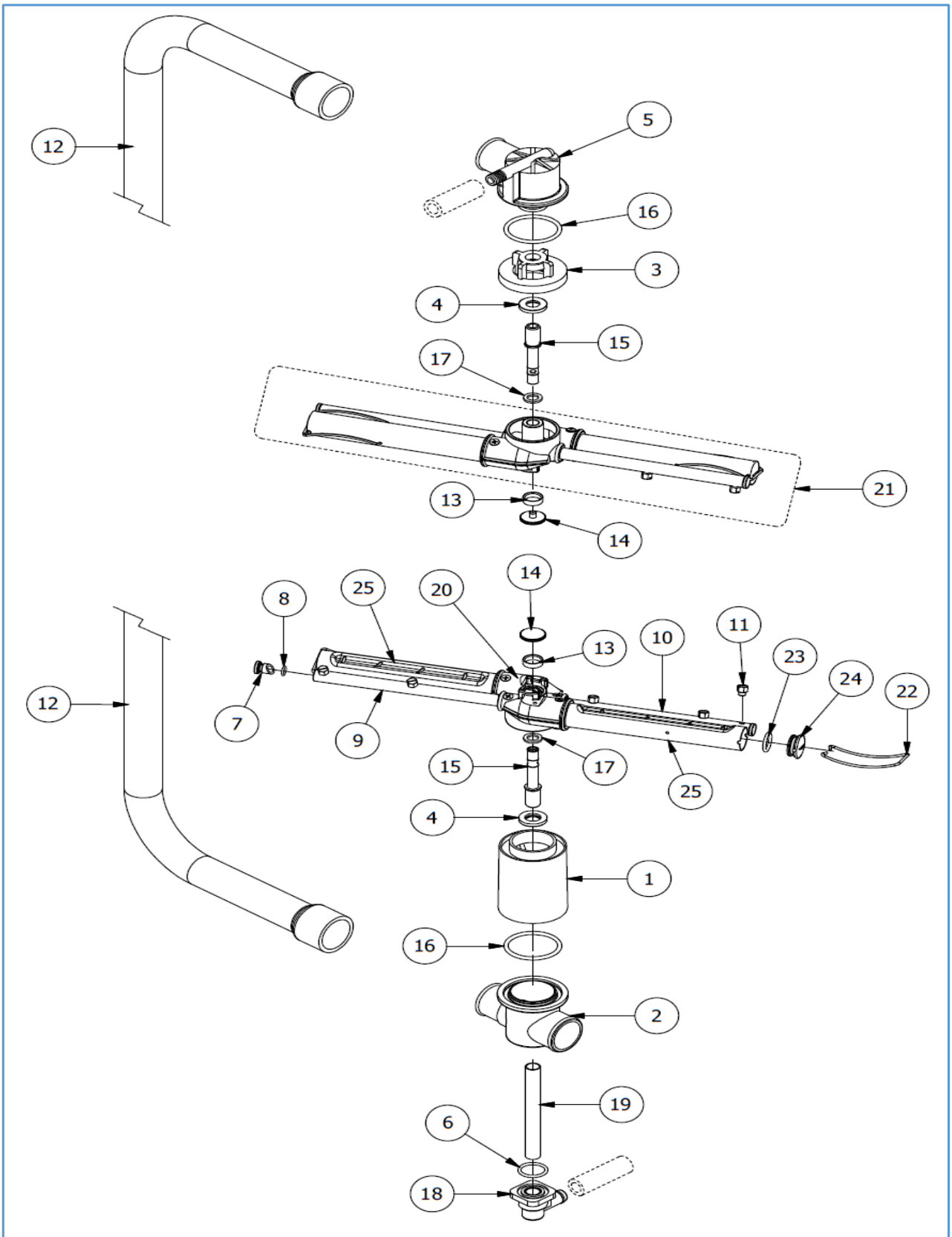
## Onderdelenlijst 7280.0035

POS:	Art.No.:	Omschrijving:	Aantal:
1		DETERGENT DISPENSER-THERMOSTATS SUPPORT	
2		DRAIN HOSE L=2500 mm.	
3		HEATING ELEMENT 240V 2400W (*)	
4		ELECTRICAL SUPPORT	
5	9136.2706	PROX MAGNETIC MICROSWITCH (*)	
6		POWER CORD SUPPLY 5G 1,5	
7	9136.0747	O-RING 6187 FOR BOILER FLANGE (*)	
8	9136.0193	SINGLE SOLENOID VALVE 90° 230V (*)	
9		MANUAL RESET SAFETY THERMOSTAT 95°C (*)	
10		AIR TRAP (*)	
11	9136.1043	AIR TRAP NUT	
12	9136.0814	ANTI-CONDENSATION PIPE FITTING	
13	9136.0816	O-RING 4081	
14	9136.0190	Ø 15,9-14,8 HOSE CLAMP	
15	9136.0192	Ø 21,6-20,6 WIRE CLAMP	
16		NTC PROBE AMP MODU II FOR BOILER/TANK (*)	
17		BOILER HEATING ELEMENT 230V 6000W (*)	
18	9136.0652	EPDM HOSE , BLACK D. mm. 5x10	
19		12 RELAYS ELECTRONIC CARDBOARD (*)	
20		TERMINAL BOARD FV 122 - 40A - 450V	
21	9136.3118	PRESSOSTAT LEVEL 28/12 (*)	
22	9136.0815	BRASS PIPE	
23	9136.0787	INTERFERENCE SUPPRESSOR 0,47 µF	
24	9136.1389	CONTACTOR 230V 50-60 Hz (*)	
25	9136.3083	PP AIR BREAK	
26	9136.3092	PROTECTION RING NUT	
27	9136.3056	RING NUT	
28		O-RING GASKET	
29		GASKET	
30		MANUAL RESET SAFETY THERMOSTAT (*)	
31		INLET REGULATION GROUP 5,5 Lt./h (*)	



## Onderdelenlijst 7280.0035

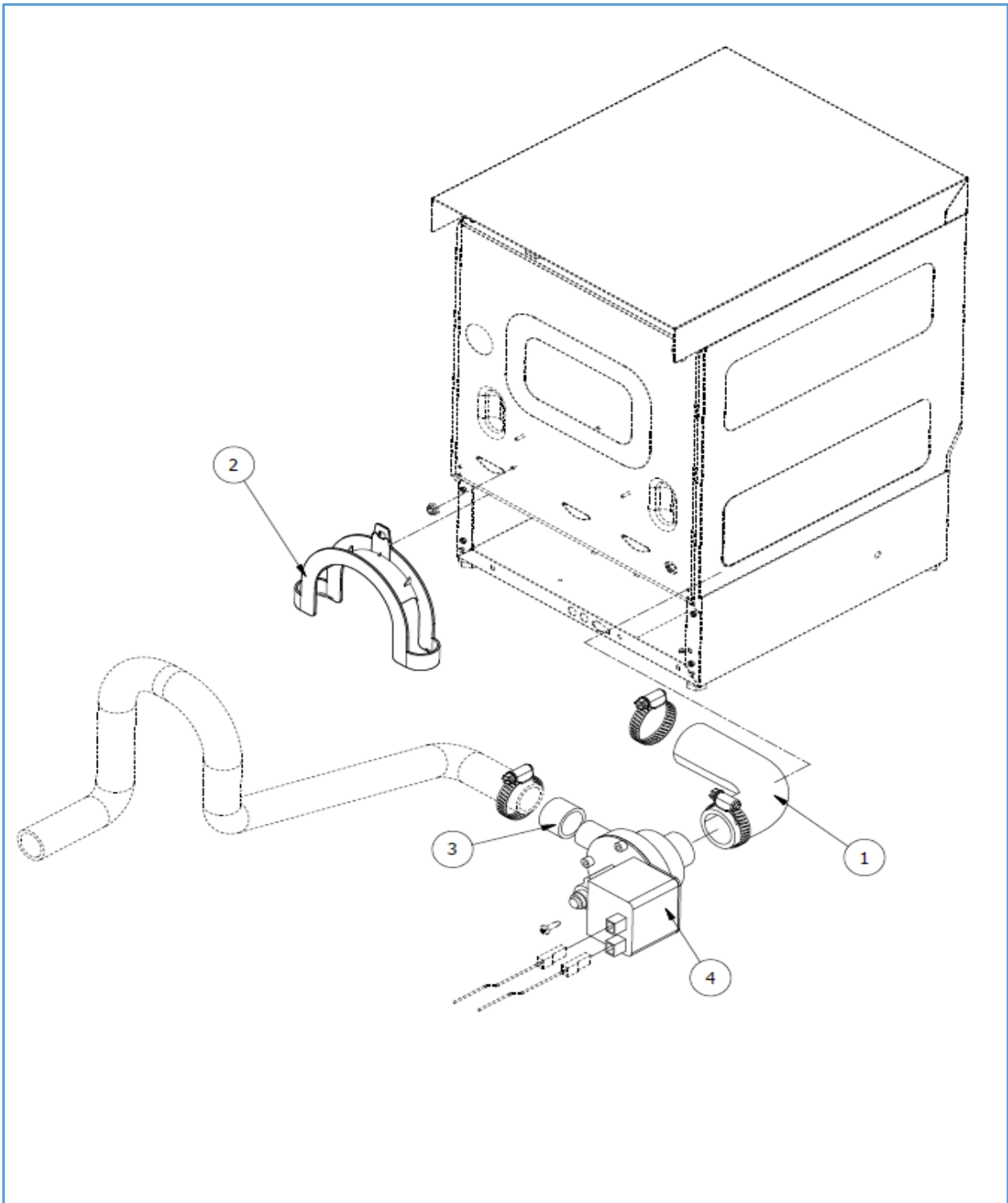
POS:	Art.No.:	Omschrijving:	Aantal:
1		ATM BOILER ASSY	
2		INTAKE RUBBER COUPLING	
3		WASH PIPE RUBBER COUPLING	
4		FILTER GROUP DRAIN CUP	
5		GASKET FOR FILTER GROUP	
6		PLASTIC FILTER SUPPORT	
7		TANK PLASTIC FILTER	
8		OVERFLOW	
9	9136.3179	GASKET DE 150	
10	9136.0652	EPDM HOSE , BLACK D. mm. 5x10	
11		WASHING PUMP 0,550 Kw 230V 50Hz	
11A		WASHING PUMP 0,550 Kw 230V 60Hz	
12	9136.0128	WATER SUPPLY HOSE L=mm.2000	
13		EPDM HOSE, BLACK D. mm. 5x11 (*)	
14		BOOSTER PUMP 0,250 Kw 230V 50Hz	
14A		BOOSTER PUMP 0,250 Kw 230V 60Hz	
15		BOILER FILLING PIPE	
16		Ø 11,0-10,4 WIRE CLAMP	
17	9136.1088	3-WAYS DISTRIBUTOR	
18	9136.1610	D. mm. 11,5x19 BLACK RUBBER HOSE (*)	





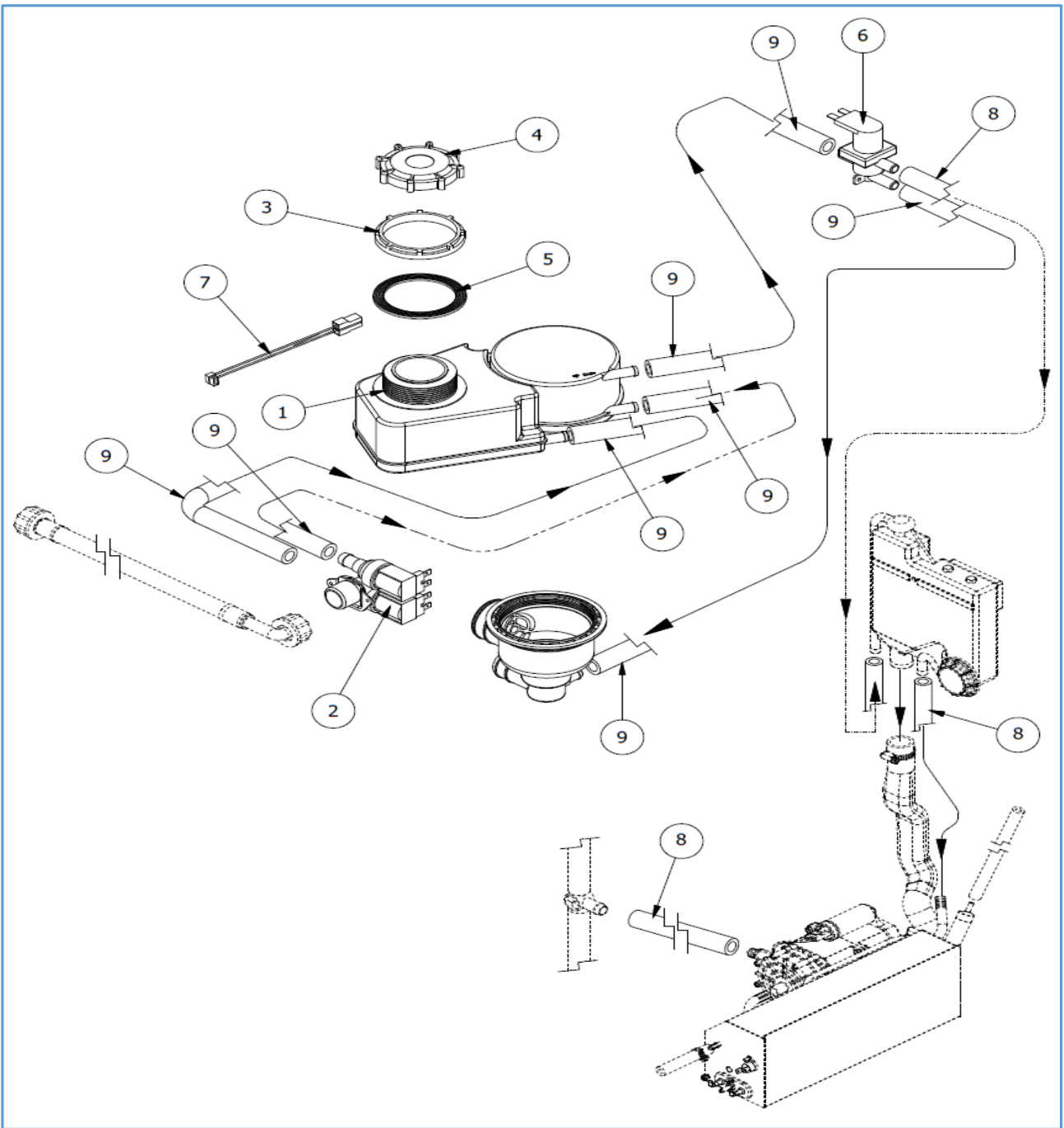
## Onderdelenlijst 7280.0035

POS:	Art.No.:	Omschrijving:	Aantal:
1	9136.1244	PLASTIC CYLINDER FOR WASH ARMS	
2	9136.0605	LOWER CONNECTING ROD	
3	9136.2653	PLASTIC CONNECTION FLANGE	
4	9136.1242	SUPPORTING WASHER	
5	9136.1037	UPPER CONNECTING ROD	
6	9136.0101	O-RING 128	
7	9136.0690	RINSE PLASTIC PLUG (*)	
8	9136.0700	O-RING 106	
9	9136.1055	RIGHT RINSE PIPE SEGMENT	
10	9136.1056	LEFT RINSE PIPE SEGMENT	
11	9136.3172	STAINLESS STEEL RINSE NOZZLE M6	
12		WASHING PIPE	
13	9136.0796	PTFE RING (*)	
14	9136.0451	STAINLESS STEEL KNURLED SCREW(*)	
15	9136.0608	WASHING ARMS FULCRUM	
16	9136.0525	O-RING 147	
17	9136.0463	WASHING ARMS WASHER (*)	
18	9136.2422	90° PLASTIC CONNECTION M13x1	
19	9136.0609	STAINLESS STEEL CONNECTION ROD	
20	9136.0580	4RP DISTRIBUTOR (*)	
21	9136.3014	WASHING ARM ASSY	
22	9136.0743	LEAF SPRING	
23	9136.0112	O-RING 121	
24	9136.0741	WASHING ARMS PLASTIC PLUG (*)	
25	9136.2982	WASHING ARMS PIPE SEGMENT	



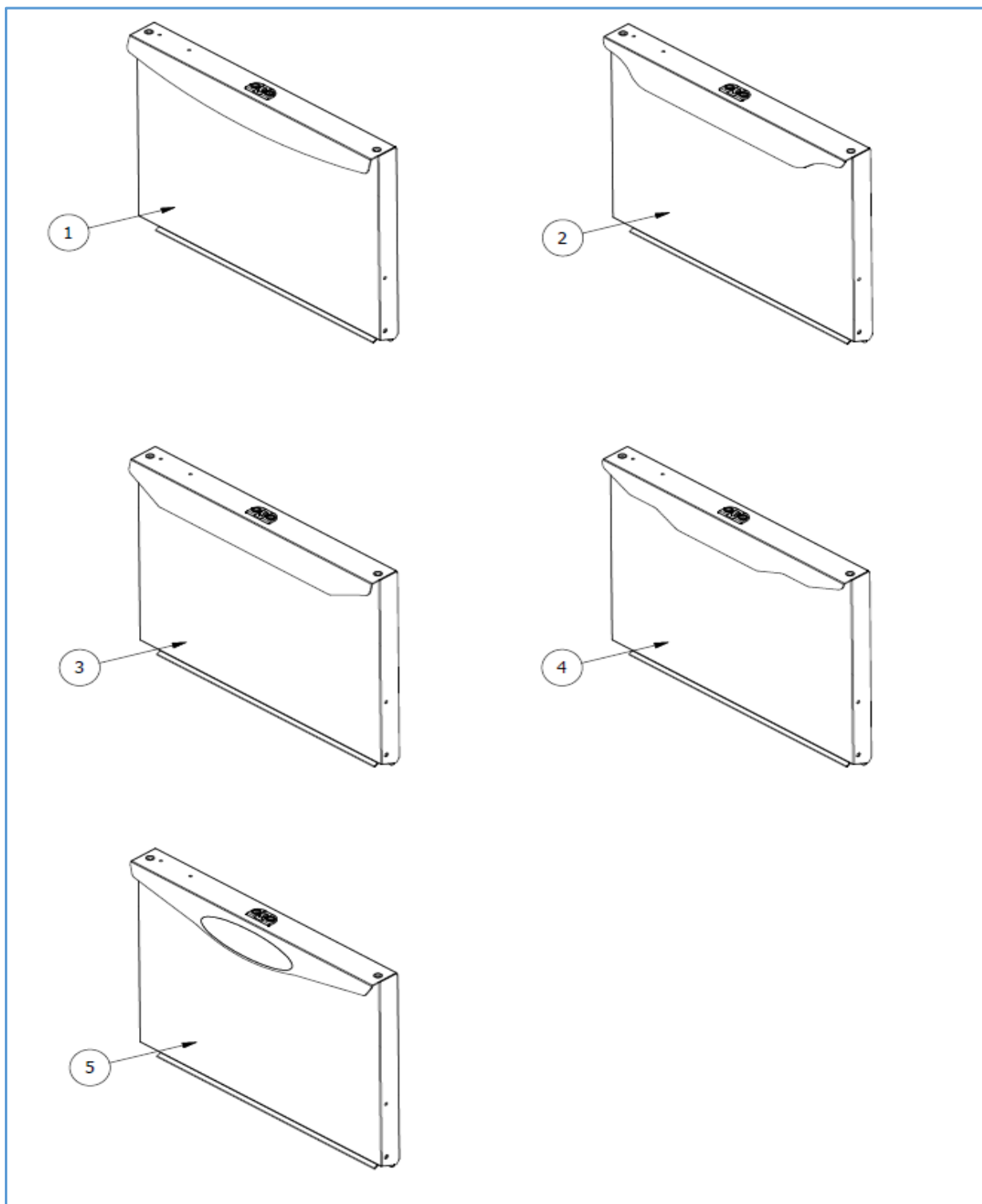
## Onderdelenlijst 7280.0035

POS:	Art.No.:	Omschrijving:	Aantal:
1	9136.1336	RUBBER COUPLING	
2	9136.3116	DRAIN HOSE SUPPORT	
3		EPDM HOSE	
4	9136.2149	DRAIN PUMP 230V 50Hz(*)	
4A		DRAIN PUMP 220V 60Hz(*)	



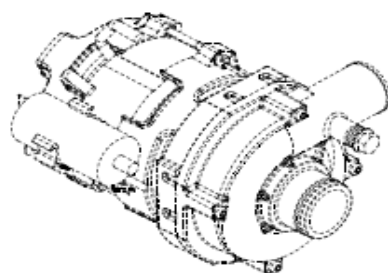
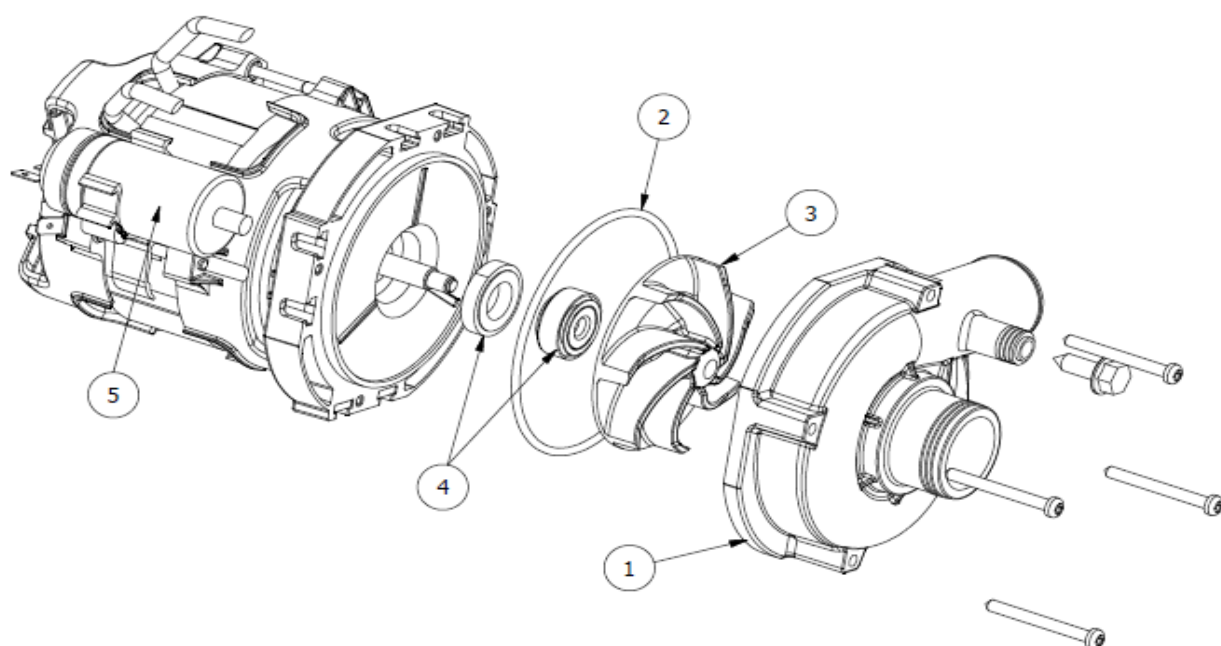
**Onderdelenlijst 7280.0035**

<b>POS:</b>	<b>Art.No.:</b>	<b>Art.No.:</b>	<b>Omschrijving:</b>	<b>Aantal:</b>
1	00017209		AUTOMATIC WATER SOFTNER	
2	<b>00009560</b>	9136.2147	DOUBLE SOLENOID VALVE 90° 230V D.A. (*)	
3	00001151	9136.0458	WATER SOFTNER RING NUT	
4	00001150	9136.0457	SALT CONTAINER PLUG	
5	00006152	9136.1622	GASKET	
6	<b>00015785</b>		SOLENOID VALVE DOUBLE EXIT (*)	
7	4040-0003		WATER SOFTNER CONNECTIONE CABLE	
8	00006104	9136.1610	D. mm. 11,5x19 BLACK RUBBER HOSE (*)	
9	00017422		D. mm.10x17 BLACK RUBBER HOSE	



## Onderdelenlijst 7280.0035

POS:	Art.No.:	Omschrijving:	Aantal:
1		DOOR ASSY TYPE 1	
2		DOOR ASSY TYPE 2	
3		DOOR ASSY TYPE 3	
4		DOOR ASSY TYPE 4	
5		DOOR ASSY TYPE 5	



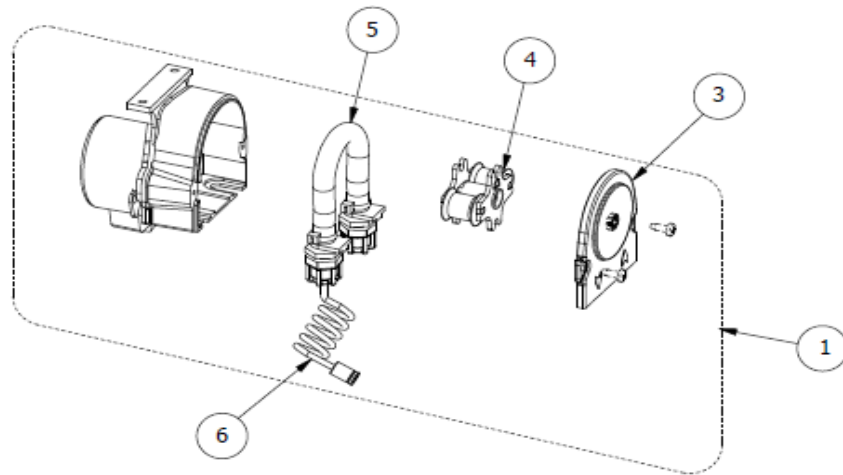
COD. 6001-0002 (230V 50Hz)  
COD. 6001-0009 (230V 60Hz)



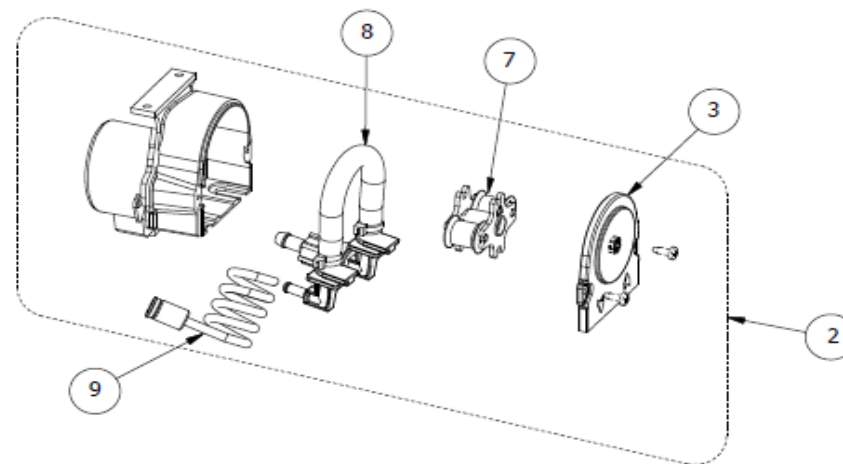
## Onderdelenlijst 7280.0035

POS:	Art.No.:	Omschrijving:	Aantal:
1		PUMP PLASTIC BODY	
2	9136.2852	GASKET	
3		IMPELLER	
4	9136.2471	MECHANICAL SEAL ASSY	
5		CAPACITOR 12,5 $\mu$ F	

DOS. DETERSIVO FISSO  
FIX DETERGENT DISPENSER



DOS. BRILLANTANTE FISSO  
FIX RINSE-AID DISPENSER



## Onderdelenlijst 7280.0035

POS:	Art.No.:	Omschrijving:	Aantal:
1	9136.3105	FIXED DETERGENT DISPENDER 3Lt/h	
2		FIXED RINSE-AID DISPENDER 0,5Lt/h	
3		COVER ASSY	
4	9136.1783	DETERG. DISPENS. ROLL HOLDERS ASSY (*)	
5	9136.3167	INTERNAL DETERG. DISPENSER HOSE (*)	
6		DETERG. DISPENS. FILTER ASSY WITH HOSE	
7		RINSE-AID DISPENS. ROLL HOLDERS ASSY (*)	
8		INTERNAL RINSE-AID DISPENSER HOSE WITH VALVE	
9		RINSE-AID DISPENS. FILTER ASSY WITH HOSE	